



eCATALOG
SOLUTIONS

DER ELEKTRONISCHE PRODUKTKATALOG

WEIT MEHR ALS NUR CAD MODELLE

eCATALOGsolutions/print
Practical experiences



About us:

Hansjörg B. Gutensohn
CEO
asim GmbH



Andreas Höfig





Requirements on a catalog

- **Product information has to be quickly available**
- **Customer should be able to easily obtain information**
- **Low effort for data maintenance**
- **Increase customer retention**
- **Information has to be correct**
- **Information has to be complete**
- **Reduce in-house effort**



Disadvantages of separated systems for the 3D and print solution

- **Data is present in different systems**
- **Multiple maintenance efforts**
- **Data controllers can't think outside the box**
- **Print catalog, web catalog and 3D are often on a different level**
- **Customer doesn't know which media is up-to-date**

- **Result:**
- **-Customer unhappy**
- **-Hotline/ Sales department of the supplier is busy**
- **-Might even result in compensation for damages**



Benefits of CADENAS' continuous catalog solution

- **One single data source**
- **High-quality editions**
- **Reduced effort for data maintenance**
- **All information at a glance**
- **Increased usability due to clear and continuous design specifications**
- **Customer can handle it better, since products and information always have the same structure**
- **All media have the same information**

- **-> eCATALOGsolutions contains almost all necessary information**

Cooperation started one year ago



&



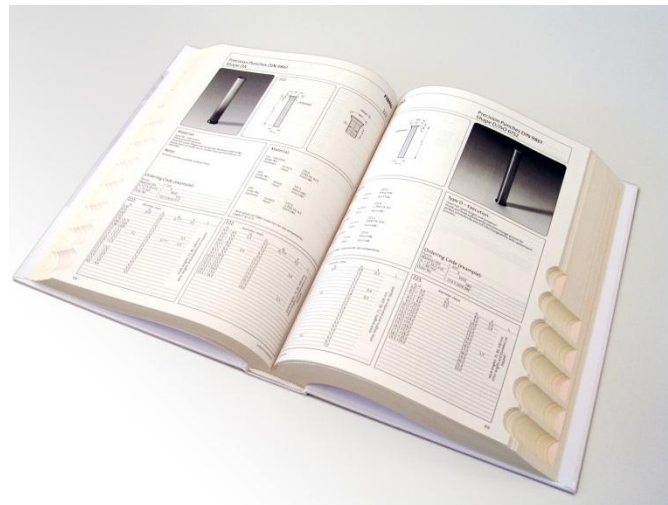


Targets of the cooperation

- **Every partner should contribute his strengths**
- **Offering a first class, continuous solution**
- **Support complex catalogs**
- **Create different catalog structures**
- **Fast and simple print production**
- **Printing templates for complete and extensive catalogs**

Practical experience

- **Extensive project, currently in the final phase**
- **Scope of more than 1,000 pages**
- **So far there hasn't been a standardization of the catalog, because the pages were manually optimized**
- **Pictures of different quality**
- **There are both statically and dynamically generated pages**
- **Contains comprehensive, complex charts**



Data maintenance of additional data

- **All texts are directly entered into the database**
- **Dimension drawings, previews etc are directly linked to the products**
- **Tabular values are uploaded**
- **Multilingualism**

Necessary templates are created.

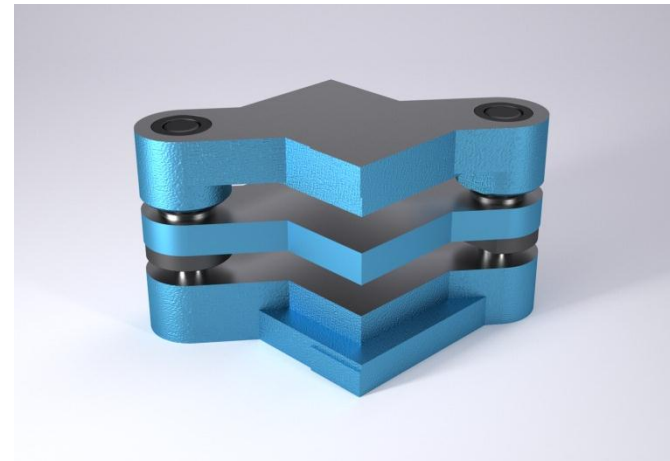
- It is planned that content templates are reduced to no more than 30 pieces
- Additional templates for index, register, contents, to generate them automatically
- Generating them only takes a few days
- In advance a strategy has to be thought up how the catalog can be structured in a reasonable way.

Creating a catalog structure

- **Different catalog structures and catalogs can be created**
- **Allocation of both dynamically generated pages and integrated pages**
- **Figures can be changed**
- **Export can be made in different languages**
- **Sectors can be also exported**

New product pictures:

- **Create photo-realistic pictures directly from eCATALOGsolutions**
- **Materials, surfaces and backgrounds are defined and assigned to the 3D parts**
- **Pictures are rendered and automatically assigned to the products**
- **When a print file is created the pictures are automatically put in place**



Practical experience

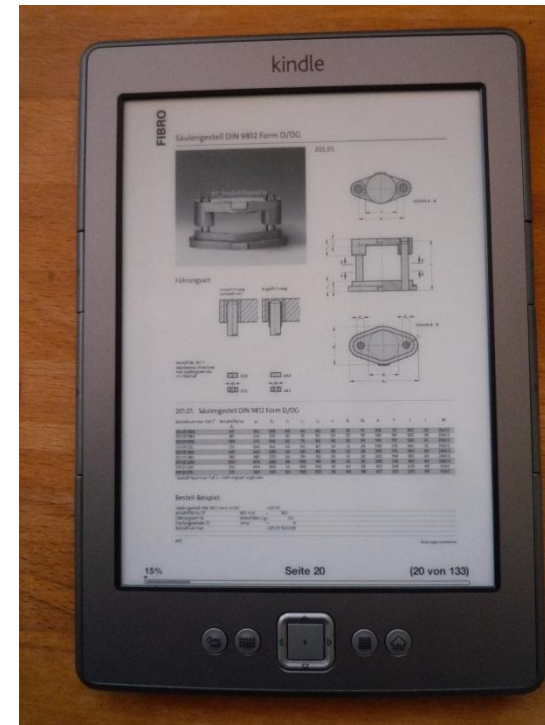
Create a catalog:

- You can create chapters, pages of a catalog , a catalog according to products or a whole catalog
- Create diverse tables
- Indices etc can be created at the same time

Practical experience

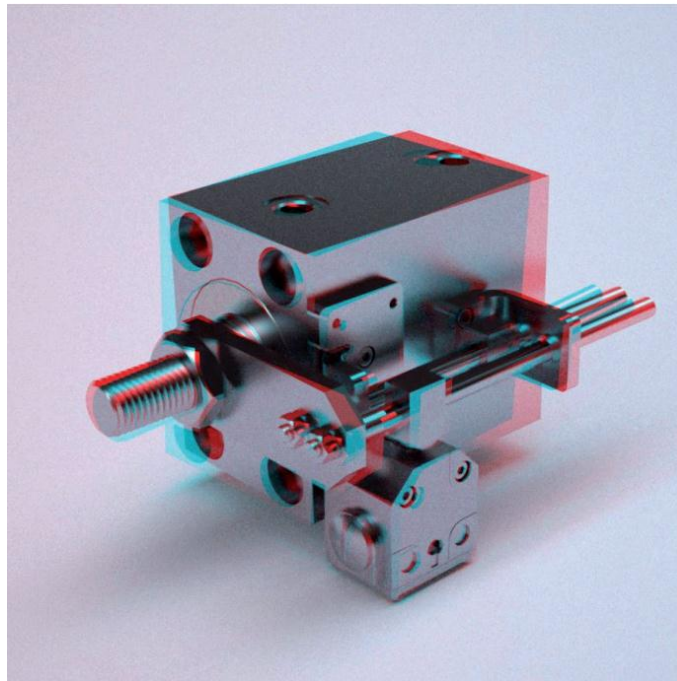
Using the data:

- Catalog can be printed or used as PDF
- Catalog can be used for iPad, kindle etc.
- And many more possibilities of using the data



Further possibilities

- **3D display in the catalog**
- **Usable without internet**
- **Glasses can be delivered with the catalog**

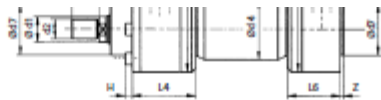




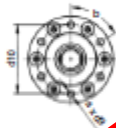
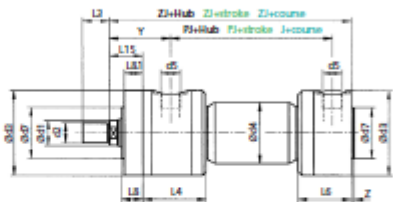
Further possibilities

- Use the QR Code and get directly to the desired part in the online catalog with your smartphone
- Use the Smartcode to get direct access to the desired part from your PC

Befestigungsart 00
Mounting mode 00
Mode de fixation 00



Befestigungsart 001*
Mounting mode 001*
Mode de fixation 001*



Bestellbezeichnung (Beispiel)
Order specification (example)
Référence de commande (exemple)

DHZ 160 .80 / 45/ 100. 00. 201.

Werkstoff Material Métal	Stanzweite (H) Stroke Course	Hubhöhe (H) Stroke Course	Werkstoff Material Métal	Funktionsart Operation mode Mode de fonctionnement	Option Options Options	a	b	B6	B9	d2	d3	d4	d5	d7 _s	d9	d10	d11 _s
14	00	001	02	00		4	80	17	7	M12x1,25	38	35	G 1/4"	33	M6	45	17

>Daten

duktübersicht

- zylinder
- triebseinheit
- anderzylinder
- irmzylinder
- Normzylinder DHZ160 - DWISO 60201
- Normzylinder DHZ250 - ISO6022 / DIN 24333
- rmzueinheit
- rmzylinder
- speirohrzylinder
- anzylinder
- indlockzylinder
- druckzylinder mit auerem itrag
- ehantreb
- annelemente
- nderzylinder
- ebehr
- book 2 0 Download
- ndervorschlag

DHZ 160 - Normzylinder

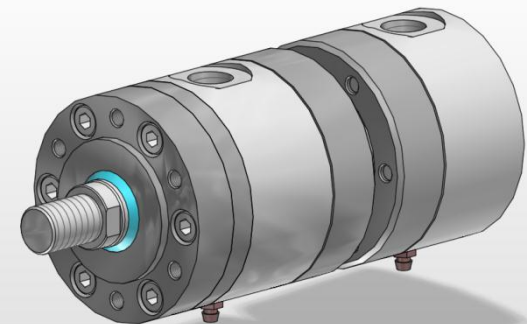
Normzylinder DHZ160

- Maximaler Betriebsdruck 160bar
- Hydraulizylinder nach DIN ISO 60201
- Kolbenstangen gehärtet, geschliffen und hartver
- verschiedene Befestigungsarten
- Kolbendurchmesser von Ø25mm bis Ø160mm,
- Großes Zubehörprogramm

Kräfte Tabelle zur Auswahl des Kolbendurchmessers [bar / kN]


Auswahl 1 von 11
Betriebsdruck

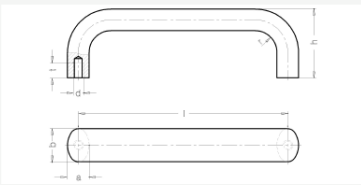

Kraft Kolbendurchmesser	50 bar		80 bar		100 bar		160 bar	
	Fd	Fz	Fd	Fz	Fd	Fz	Fd	Fz
25 mm	1.96	1.35	3.14	2.16	3.93	2.7	6.28	
32 mm	3.22	2.2	5.15	3.52	6.43	4.4	10.29	
40 mm	5.03	3.51	8.04	5.61	10.05	7.01	16.08	
50 mm	7.85	5.39	12.57	8.83	15.71	10.78	25.13	



Further possibilities

- Integration of 3D data into the PDF Catalog (planned)
- Customer immediately gets a 3D model with additional functions, like measuring etc.

 Bügelgriffe GN 565



Artikel-Nr.	QFL	B	L	A	D	H	R	T
Bügelgriff GN 565-20-100-00V	BL,EL,RT,SW	20	100	13	8	47	13	10
Bügelgriff GN 565-20-113-00V	BL,EL,RT,SW	20	112	13	8	49	13	10
Bügelgriff GN 565-20-128-00V	BL,EL,RT,SW	20	128	13	8	51	13	10
Bügelgriff GN 565-20-160-00V	BL,EL,RT,SW	20	160	13	8	51	13	10
Bügelgriff GN 565-26-113-00V	BL,EL,RT,SW	26	112	17	8	55	17	12
Bügelgriff GN 565-26-128-00V	BL,EL,RT,SW	26	128	17	8	55	17	12
Bügelgriff GN 565-26-160-00V	BL,EL,RT,SW	26	160	17	8	57	17	12
Bügelgriff GN 565-26-192-00V	BL,EL,RT,SW	26	192	17	8	57	17	12

www.ganter-griff.de © Olof Gantner GmbH & Co. KG
Alle Angaben ohne Gewähr

- **Conclusion:**
- **The solution is ready for use and well approved**
- **There are many more ideas which are going to be implemented**
- **The solution significantly supports catalog production**
- **Other formats can be created, like flip catalogs etc.**
- **Future-orientated**
- **Great cooperation between Cadenas and asim**
- **To get the best results, it has to be clarified in advance how data is provided**





QUESTIONS ?

FEEDBACK ?

Thank you for your attention

Dipl.-Ing. (FH) Andreas Höfig